



Additional Sails

Customer:

Boat type/name:

Preferences

Way of set sail:

- Furler: _____
- Snuffer, colour: _____
- Loose set

Additions:

- Shapes stripes
- Telltales
- Velcro-type in clew
- Points of downhaul
- Advertising
- Sail number: _____
colour: _____

Type of sail:

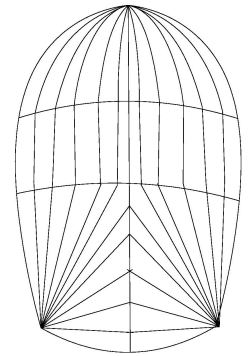
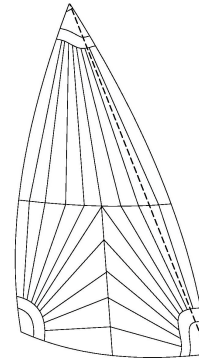
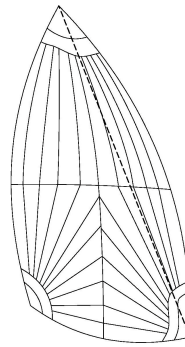
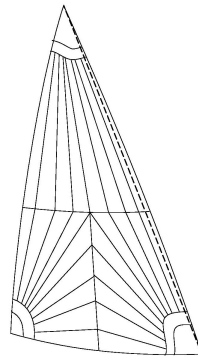
- Code Zero

Gennaker

- A1/A2
(Runner)

- G1/G2
(Reaching)

- Spinnaker



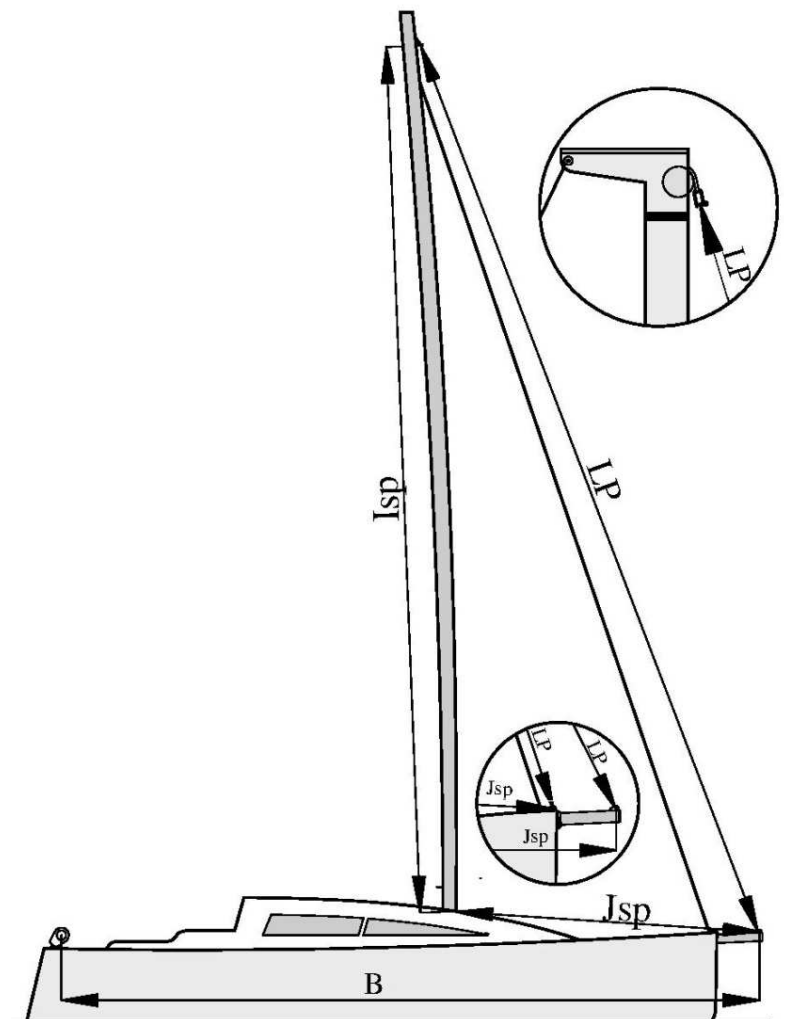
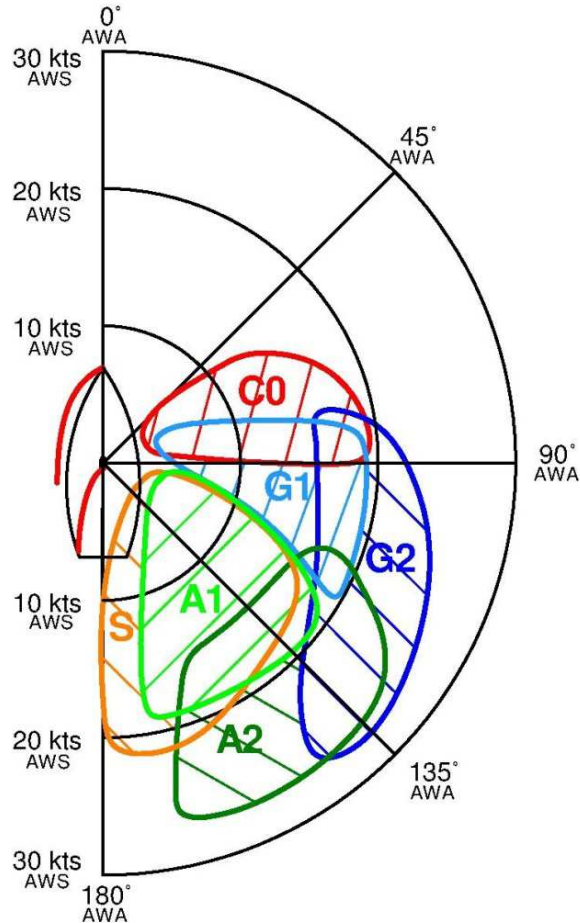
Isp = _____ mm

Jsp = _____ mm

LP = _____ mm

B = _____ mm

Dimension



AWS – Apparent Wind Speed

AWA - Apparent Wind Angle

kts – wind speed in knots

(The working range for the sail are indicative and depend on individual order.)

Signature, date