



Headsail

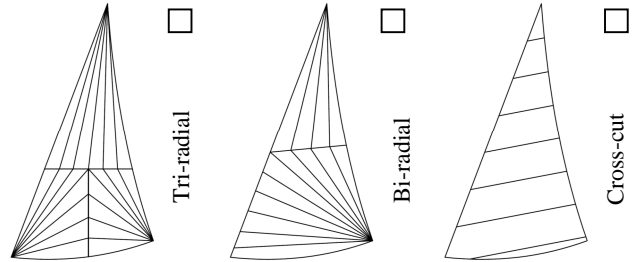
Sail Service Adriatic d.o.o.
 Polje bb
 8500 Bar
 Montenegro
 Tel: +382 69297705 / 297706
 E-Mail: contact@sailservice-adriatic.com

Customer:.....

Boat type/name:.....

Preferences

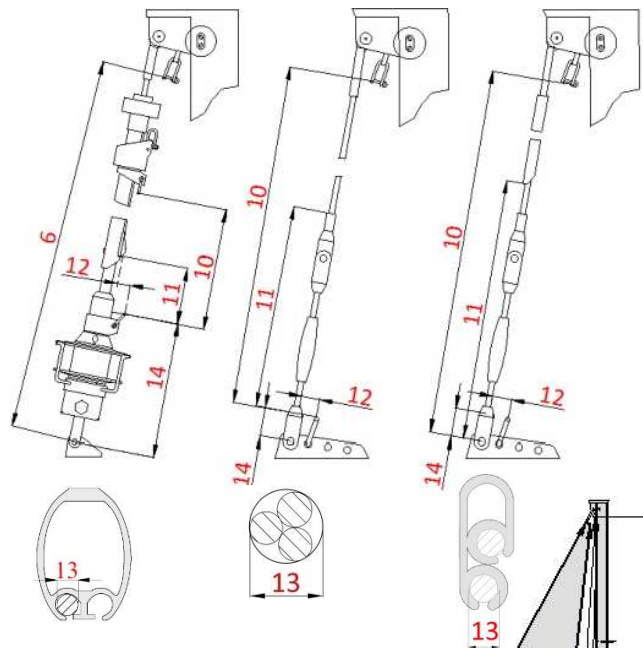
- UV Protection, col.: _____, side: _____
- Luff foam
- Shape stripes, col: _____, pcs.: _____
- Reef marks , col.: _____, pcs.: _____
- Window, pcs: _____
- Advertising: _____



Dimension

- Jib/ Genoa
- Area *: _____ m²
- 1 Luff: _____ mm
 - 2 Leach: _____ mm
 - 3 Foot: _____ mm
 - 4 Distance clew –deck: _____ mm
 - 5 LPG: _____ % J

- Furler
- Forestay
- Tuff Luff



By halyard, hoist a measurement tape and measure distance from:

- 6* intersection forestay and deck _____ mm
- 7* mast heel _____ mm
- 8 front end headsail track _____ mm
- 9 board opposit superstructure _____ mm

Furler / forestay details:

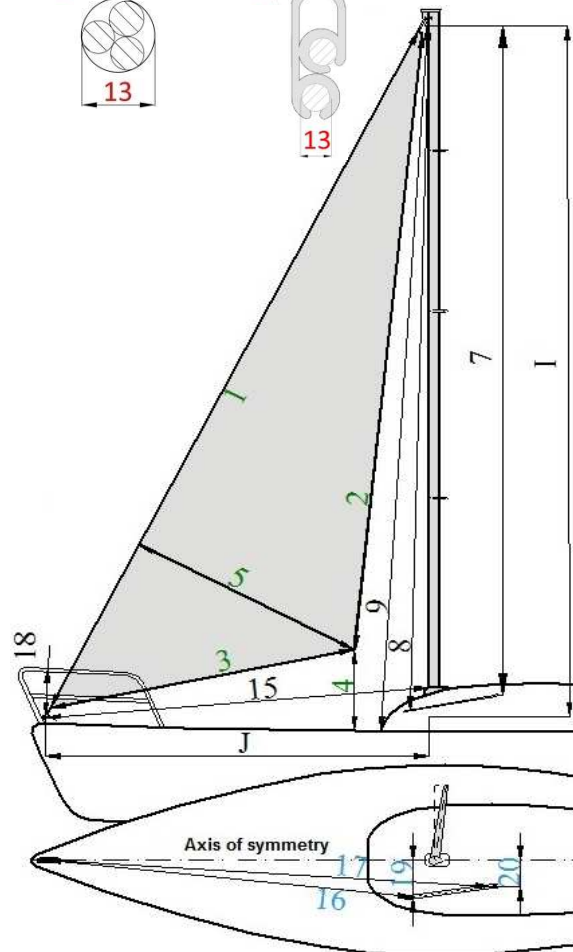
- 10 Max length luff _____ mm
 - 11 Tack pin to feeder _____ mm
 - 12 Tack set back _____ mm
(moveable fittings keep at 45° angle)
 - 13 Luff rope Ø _____ mm
- Furler maker/ model _____

Distance from intersection forestay and deck to:

- 14 tack pin _____ mm
- 15* mast heel _____ mm
- 16* front end headsail track _____ mm
- 17* back end headsail track _____ mm
- 18 upper edge of bow pulpit _____ mm

Complementary dimension for jib/genoa track:

- 19 Axis of symmetry to front end headsail track _____ mm
- 20 Axis of symmetry to back end headsail track _____ mm



* basic information to design sail

Signature, date